
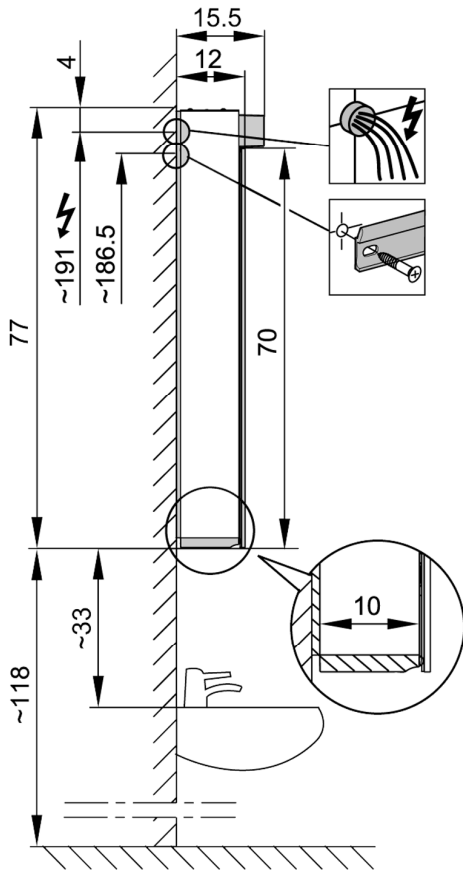
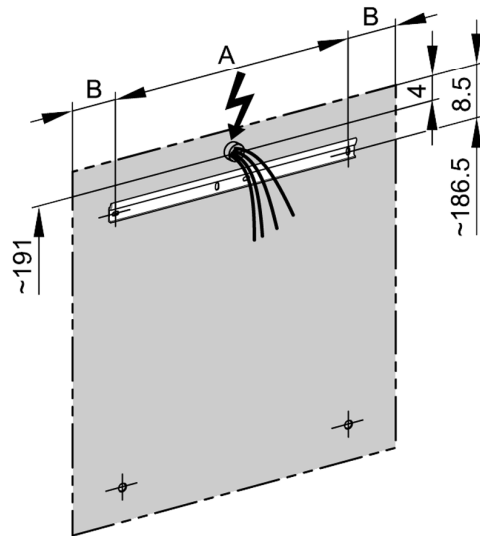


	151.100
	LOW 100/2/FL
	1 x 39W, G5
A	100
B	47.8 (2x)
C	50 (2x)
D	99.2
E	8.4 x 47.1 (4x)



LOW/FL	A	B
100..	75	12.5



08.06.2012