
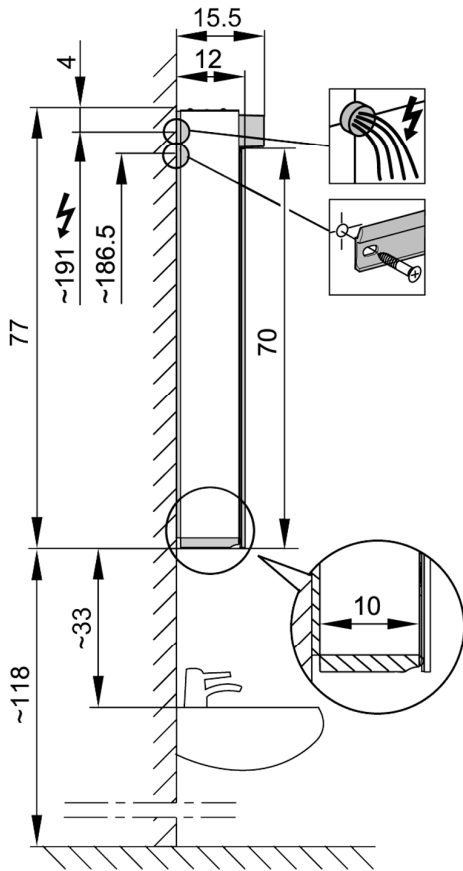
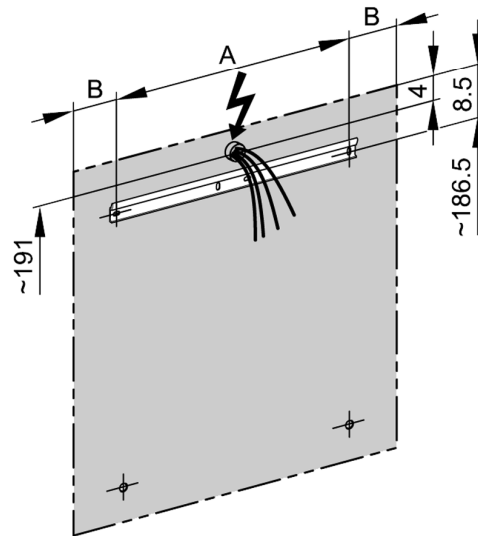


	151.080
	LOW 80/2/FL
	1 x 40W, 2G11
A	80
B	37.8 (2x)
C	40 (2x)
D	79.2
E	8.4 x 37.1 (4x)



LOW/FL	A	B
80..	55	12.5



08.06.2012