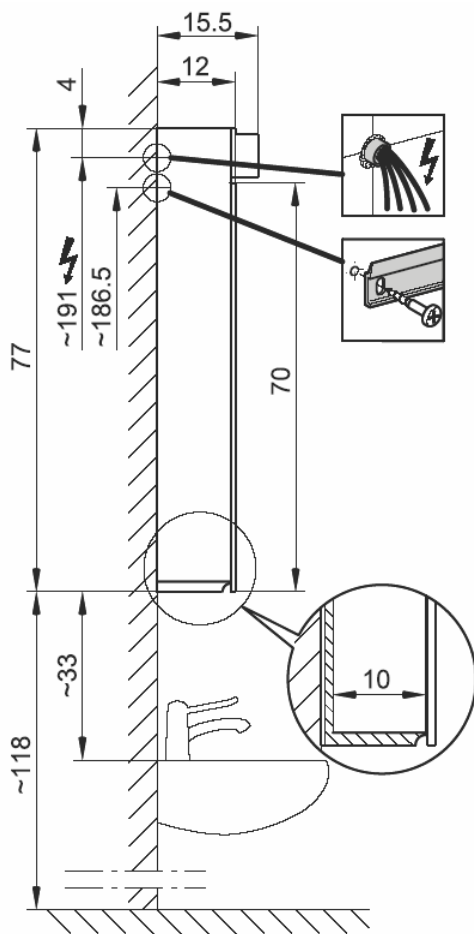
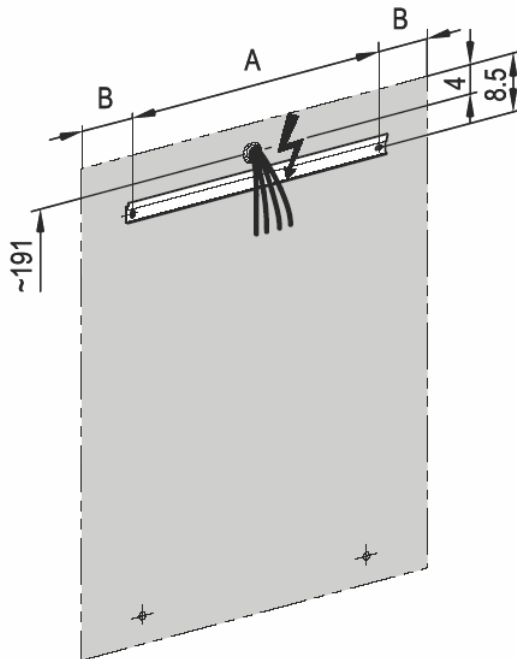


| | LOW 60/2/FL |
|------------|--------------------|
| EVG | 1 x 14W, G5 |
| A | 60 |
| B | 57.1 |
| C | 30 (2x) |
| D | 59.2 |
| E | 8.4 x 56.4 (2x) |



| LOW/FL | A | B |
|---------------|----------|----------|
| 60 | 35 | 12.5 |



26.02.2008